

SUBLITHOGRAPHIC CONTACT STRUCTURE, IN PARTICULAR FOR A PHASE
CHANGE MEMORY CELL, AND FABRICATION PROCESS THEREOF

Inventors: Osama Khouri et al. Express Mail No.: EV336591413US

Docket No.: 854163.412

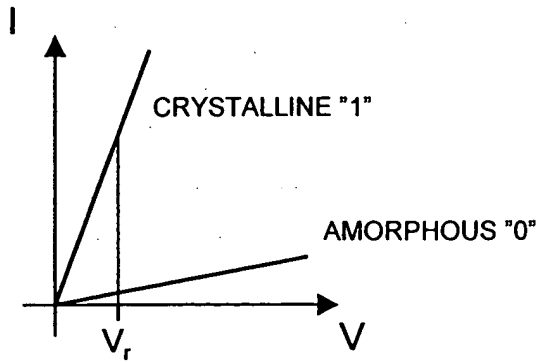


Fig.1
Prior Art

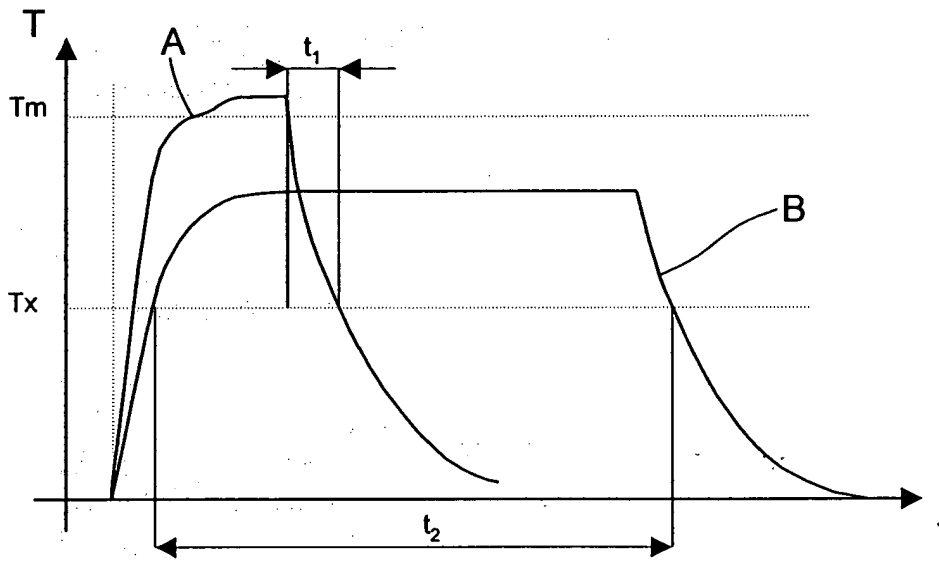


Fig.2 Prior Art

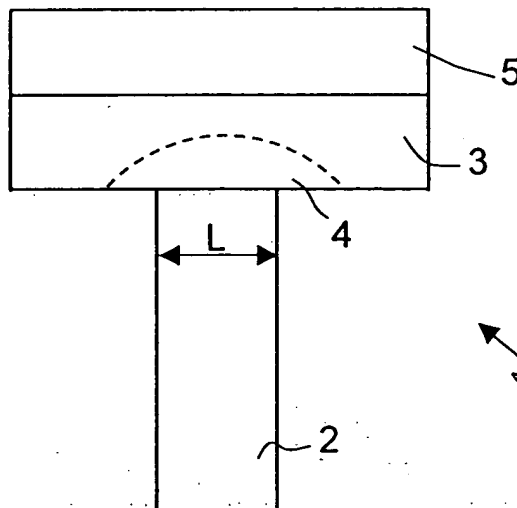
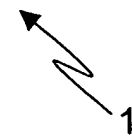


Fig.3
Prior Art



SUBLITHOGRAPHIC CONTACT STRUCTURE, IN PARTICULAR FOR A PHASE CHANGE MEMORY CELL, AND FABRICATION PROCESS THEREOF

Inventors: Osama Khouri et al. Express Mail No.: EV336591413US

Docket No.: 854163.412

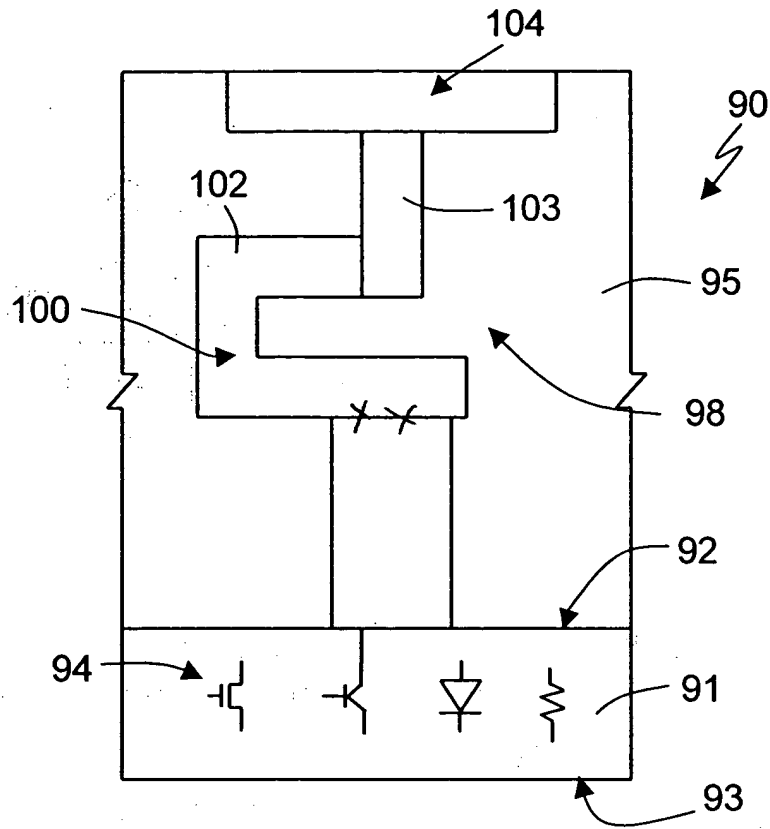


Fig.4

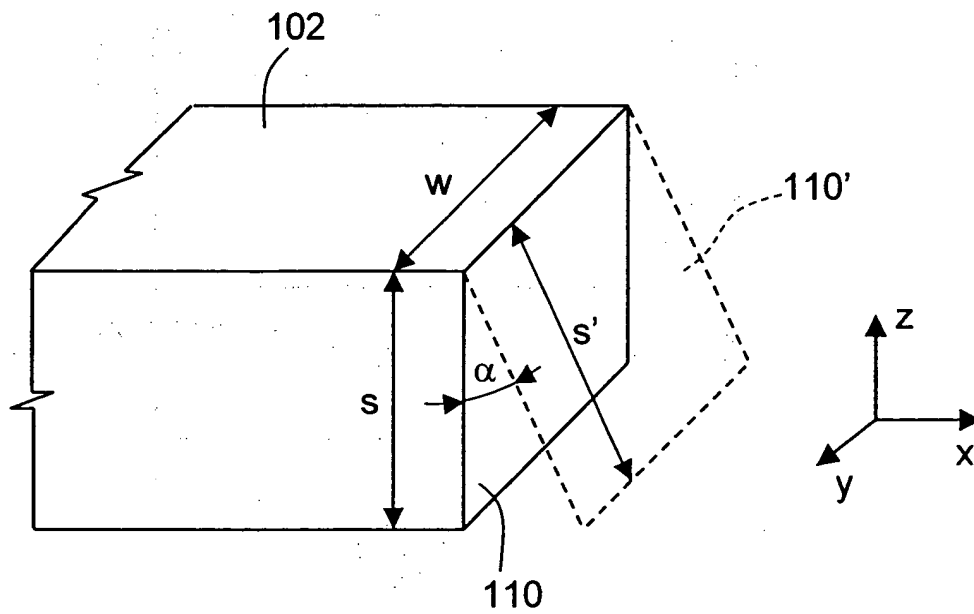


Fig.5

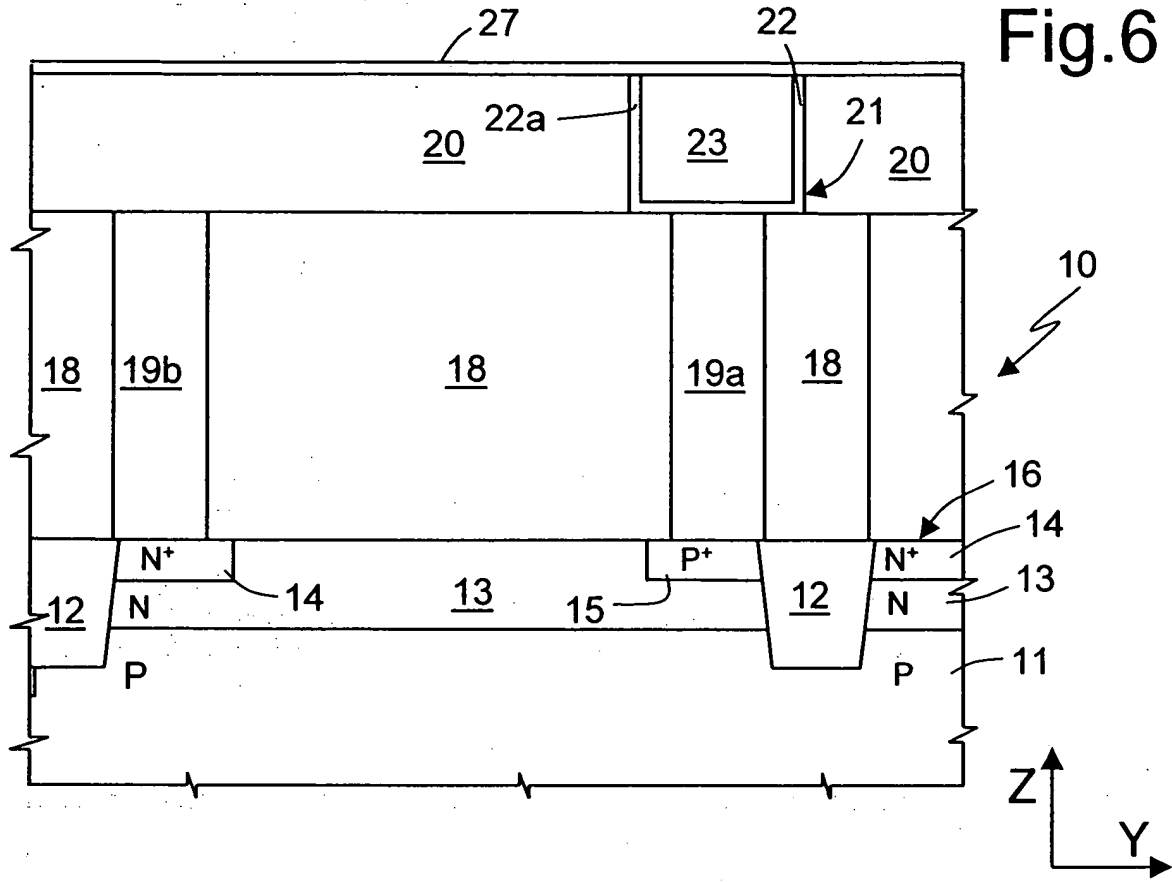


Fig. 6

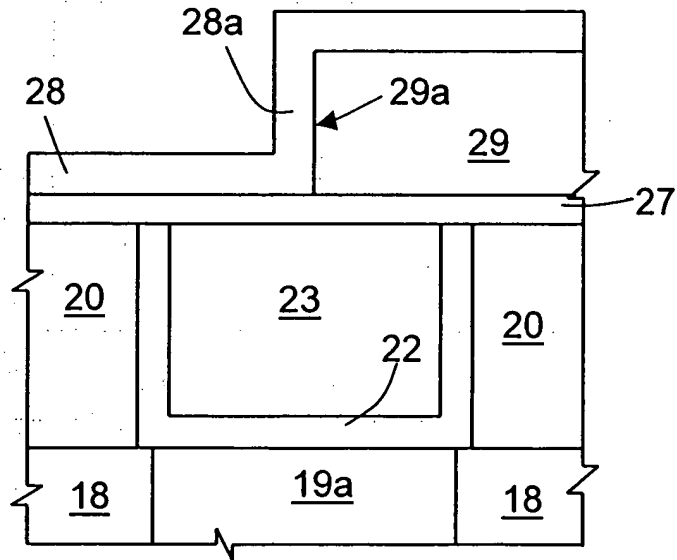


Fig. 7

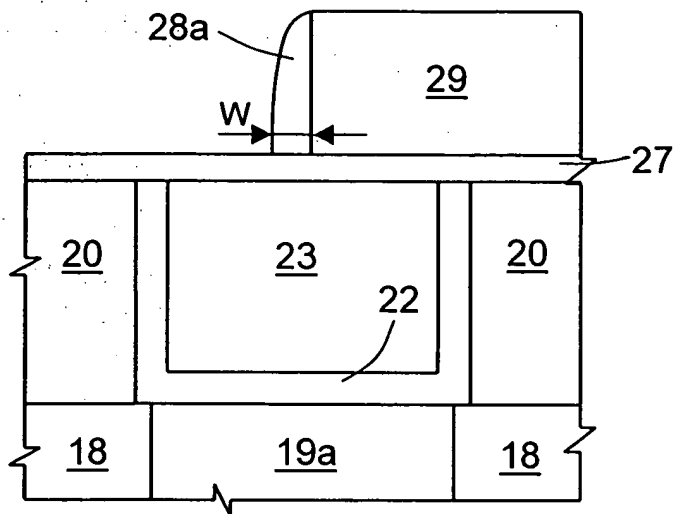


Fig.8

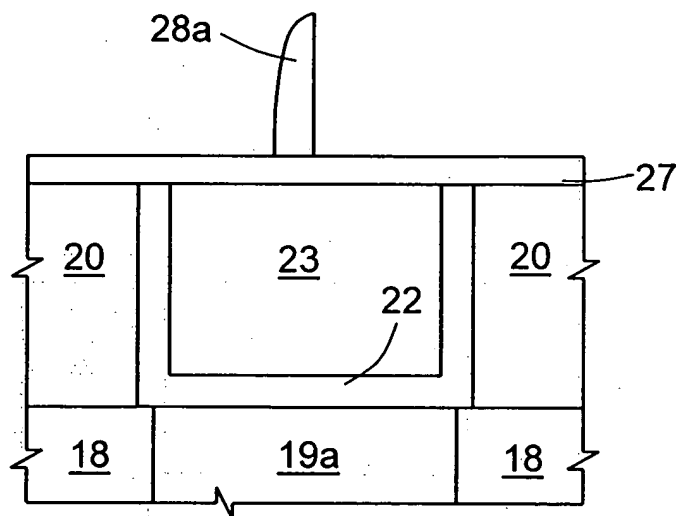


Fig.9

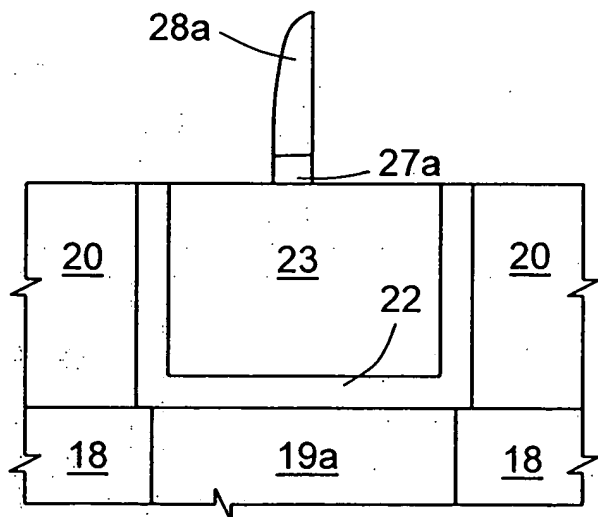


Fig.10

SUBLITHOGRAPHIC CONTACT STRUCTURE, IN PARTICULAR FOR A PHASE
CHANGE MEMORY CELL, AND FABRICATION PROCESS THEREOF

Inventors: Osama Khouri et al. Express Mail No.: EV336591413US

Docket No.: 854163.412

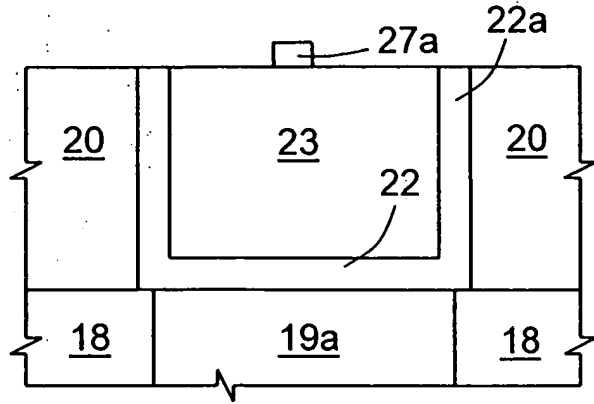


Fig. 11

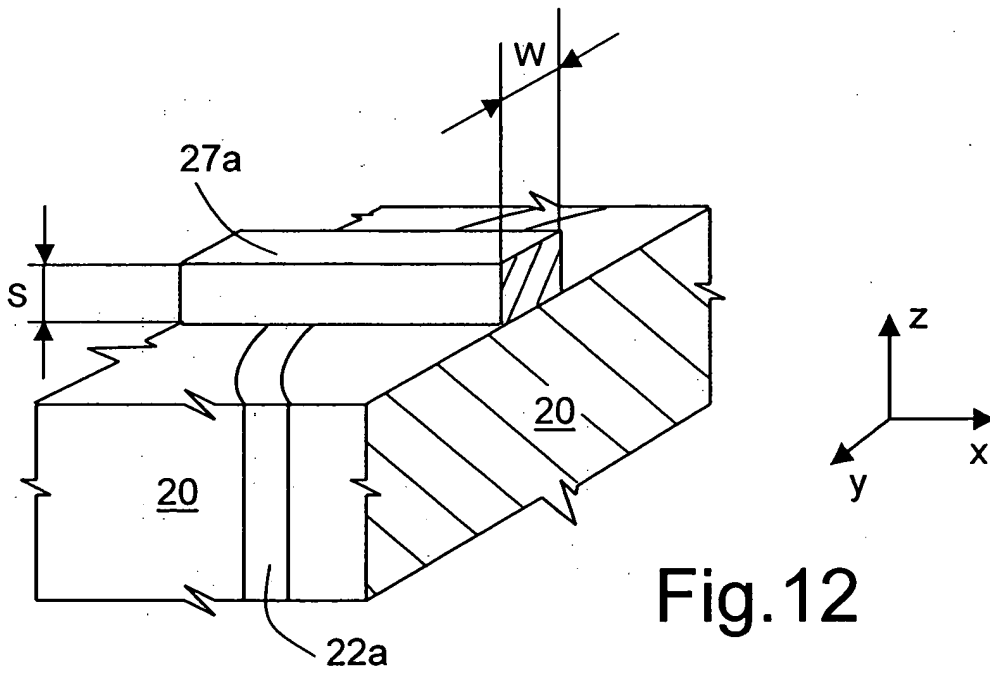


Fig. 12

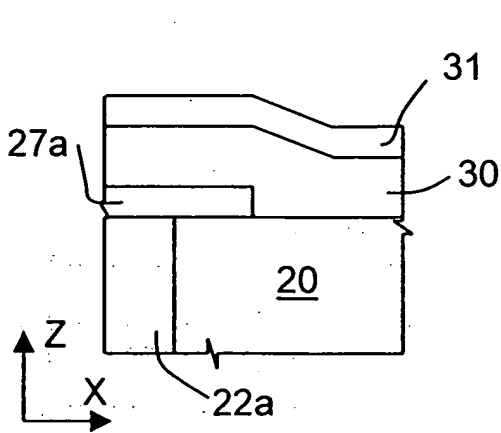


Fig. 13

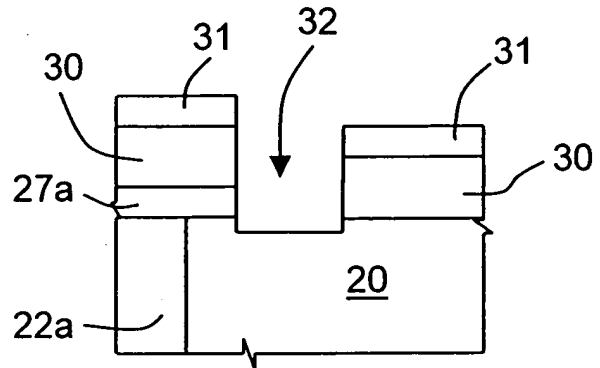


Fig. 14

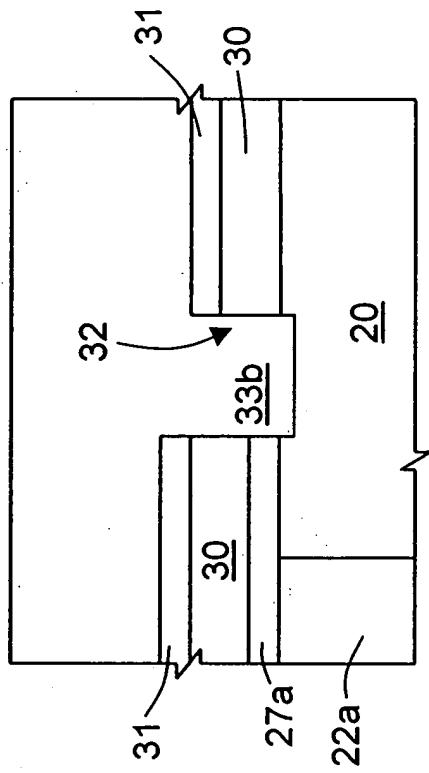


Fig. 15

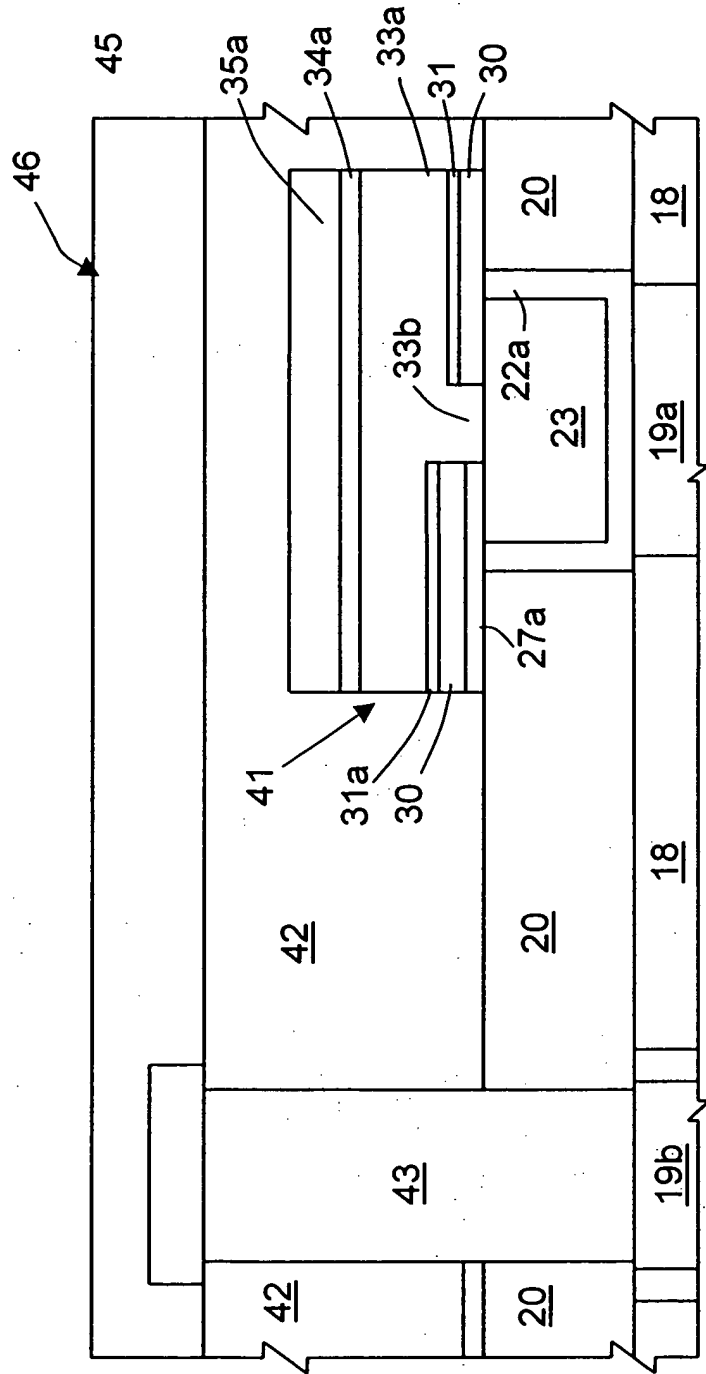


Fig. 16